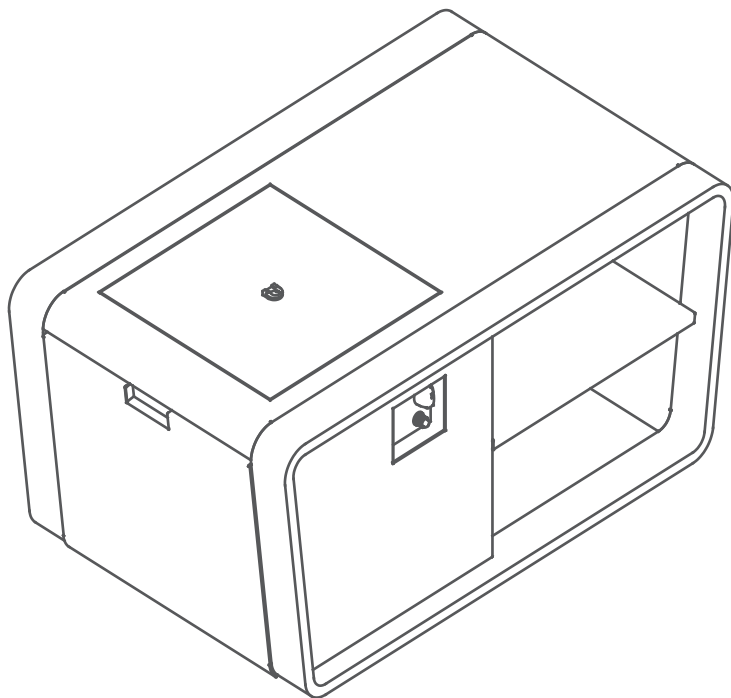


Sunbeam

Items # 9158

Sterling Fire Table



! DANGER

If you smell gas:

1. Shut off gas to the appliance.
2. Extinguish any open flame.
3. If the odor continues, leave the area immediately.
4. After leaving the area, call your gas supplier or fire department. Failure to follow these instructions could result in fire or explosion, which could cause property damage, personal injury, or death.

! WARNING

Do not store or use gasoline or other flammable vapors and liquids in the vicinity of this or any other appliance. An LP-cylinder not connected for use shall not be stored in the vicinity of this or any other appliance.

! WARNING

For outdoor use only.

! WARNING

Improper installation, adjustment, alteration, service, or maintenance can cause injury or property damage. Read the owner's manual thoroughly before installing or servicing this equipment. If the information in this manual is not followed exactly, a fire or explosion may result causing property damage, personal injury, or loss of life. Save these instructions for future use. If you are assembling this unit for someone else, give this manual to him or her and read and save it for the future.

Save these instructions for future use. If you are assembling this unit for someone else, give this manual to him or her and read and save it for the future.

! DANGER



CARBON MONOXIDE HAZARD

This appliance can produce carbon monoxide which has no odor.

Using it in an enclosed space can kill you.

Never use this appliance in an enclosed space such as a camper, tent, car, or home.



Owner's Manual

Safety Information

Before you assemble or operate this unit, please carefully read this entire manual. Failure to do so may result in a fire, explosion, injury, or death.

WARNING

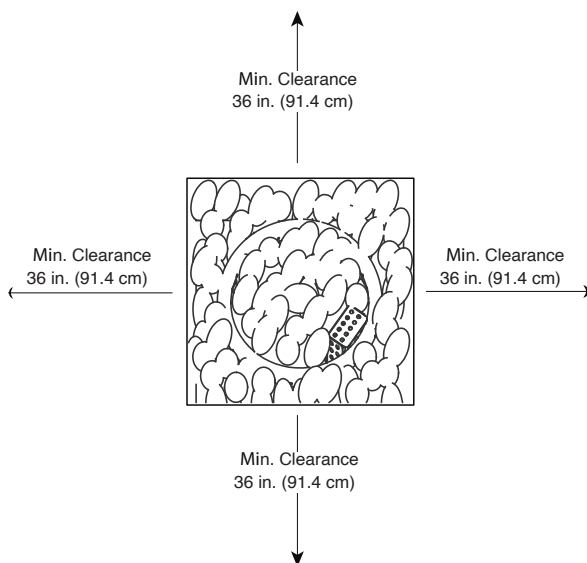
- The installation of this unit must adhere to local codes or either the National Fuel Gas Code, ANSI Z21.97-2017/CSA2.41-2017 Standard for Outdoor Decorative Gas Appliances.
 - THIS UNIT IS INTENDED FOR OUTDOOR USE ONLY! This product shall be used outdoors, in a ventilated space and shall not be used in any enclosed area.
 - Do not use any solid fuel or charcoal for this unit.
 - When igniting this unit, stay away from the burner as the flame will light up and may cause injury.
 - LP GAS WARNING: Do not use any more than 1/4 in. depth Natural Stones above the burner holes. Doing so will suffocate the flame.
 - If the propane gas tank is leaking gas, you may hear, see, or smell a hiss. Do the following:
 1. Disconnect the propane gas tank.
 2. Do not attempt to fix the problem yourself.
 3. Contact your gas supplier or fire department for help.
 - Applying too much propane may result in gas pooling and will not burn. Allow fresh air into the unit so that the remaining gas may escape.
 - Do not use a flame to check for gas leaks.
 - The maximum inlet supply pressure: maximum Gas supply 11 in. w.c. (2.74kPa)
 - Use LP propane tanks with the following dimensions: diameter 12 in., height 18 in. - capacity 20 lbs.
 - You must use a propane tank that has a collar to protect the gas valve.
 - DO NOT fill tank over 80 percent full.
 - The tank system must be set up for vapor withdrawal.
 - Discontinue use if any part of the propane tank is damaged. Rust and dents may be hazardous and should be inspected by a gas supplier.
 - Do not burn anything other than the provided materials for this fire table.
 - Always ensure that Natural Stones is completely dry before use. Failure to do so may cause them to crack or break.
 - Do not operate unit until all parts are fully assembled.
 - Do not paint or color any part of this fire table.
 - Unit may be hot while in use, do not attempt to move it while in use.
 - Never leave this fire pit unattended while in use.
 - This unit is not intended for cooking.
 - Keep any flammable items away and do not use any other fireplace cover for this unit.
 - Keep a safe distance to avoid burning skin or clothing.
 - Do not sit or rest hands or feet on this fire pit.
 - Never place hands or fingers on upper portion of this unit while in use.
 - Keep all electrical cords and fuel supply hose away from heated surfaces.
 - Combustible material should not be within 96 in. of the top of the unit, or within 36 in. around the entire unit.
 - Keep the appliance area clear and free from combustible material, gasoline and other flammable vapors and liquids.
 - If the flame goes out while burning, turn the gas valve off. Wait 5 minutes before repeating the initial lighting procedure.
- Once you have a flame started, hold down the control knob for 1 minute.
- Do not add water into the unit.
 - Do not operate unit if any part has been under water. Immediately call a qualified service technician to inspect the appliance and replace any part of the control system and any gas control that has been under water.
 - Do not disconnect any part while unit is in use.
 - Do not store a spare propane tank underneath, on or near this unit.
 - If the fire table is indoors, detach the propane tank and leave outdoors.
 - Do not operate on a boat or vehicle. This unit must be used on a flat surface and outdoors ONLY.
 - Always remove protective cover before operating (if applicable).
 - Do not set the protective cover over the unit until it is turned off and completely cooled down.
 - Check for leaks after not using the unit for long periods of time.
 - Children should never operate this unit. Children must be supervised while near this unit.
 - Keep gas tank at least 5 feet away from unit when lit. (if external tank)
 - The maximum gas supply pressure is 250 psi.

Safety Information

- All installation and repair should be done by a qualified professional. This unit should be inspected annually and cleaned regularly.
- Inspect all elements of this fire pit before each use. If there is damage, the burner must be replaced.
- Keep the hose out from any pathways to eliminate any accidental damage. (if external tank)
- Be aware of the hazards of high temperatures and stay away from the unit to avoid any burns or injury.
- The gas supply tank should be constructed and marked with the specifications for the LP gas tanks of the U.S. Department of Transportation or the National Standard of Canada CAN/CSA-B339, LP gas tanks, spheres and tubes for Transportation of Dangerous Goods, and Commission.
- The LP gas tank must have a listed overfilling prevention device and a QCCI or Type I, (CGA810) LP gas tank connection.
- Children and adults should be alerted to the hazards of high surface temperatures and should stay away to avoid burns or clothing ignition.
- Young children should be carefully supervised when they are around the appliance.
- Clothing or other flammable materials should not be hung from the appliance or placed on or near the appliance.
- Any guard or other protective device removed for servicing the appliance shall be replaced prior to operating the appliance.
- Installation and repair should be done by a qualified service person. The appliance should be inspected before use and at least annually by a qualified service person. More frequent cleaning may be required as necessary. It is imperative that the control compartment, burners and circulating airways of the appliance are kept clean.

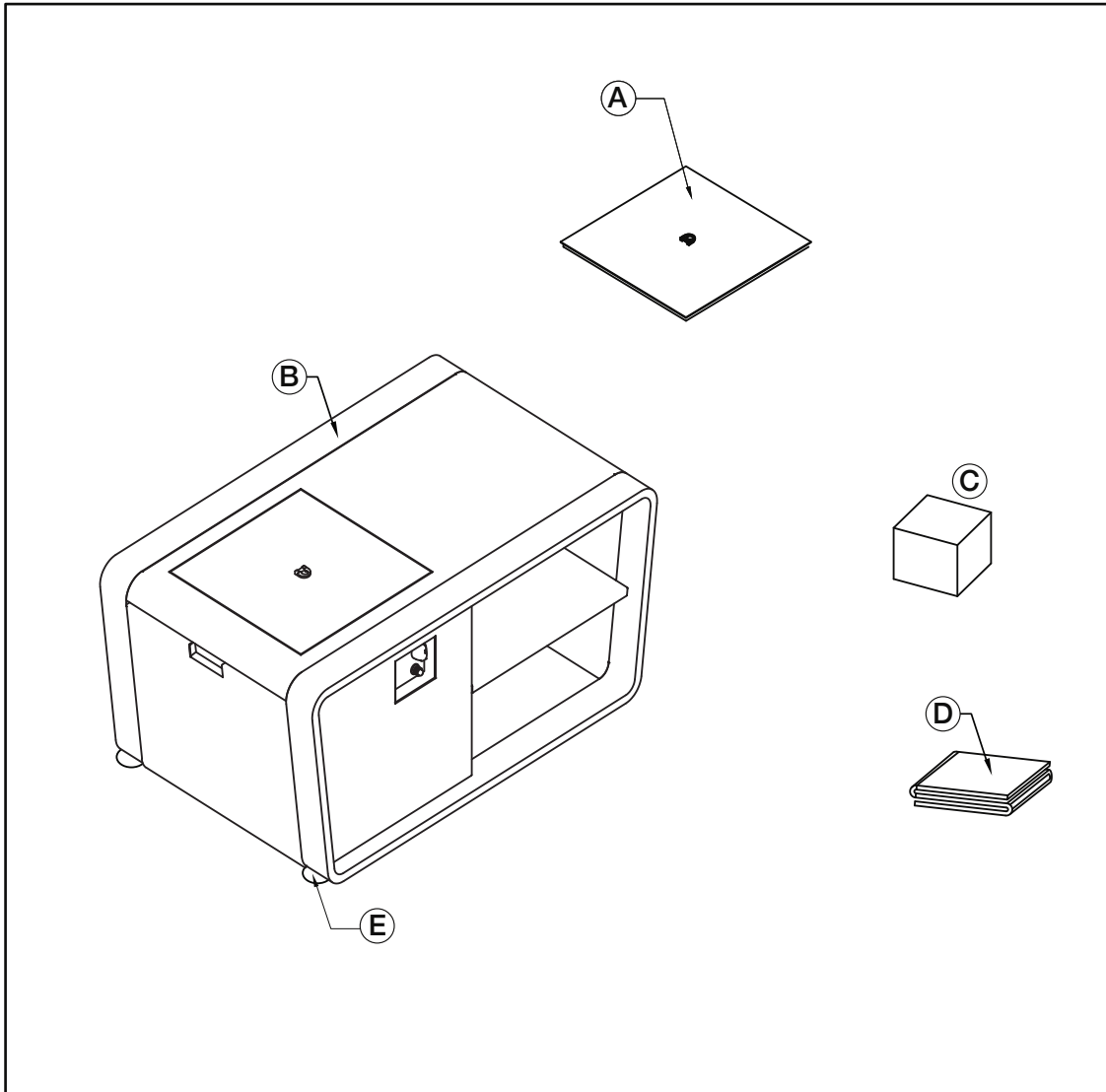
IF APPLICABLE:

- Allow heating item to cool completely before placing on lid.
 - DO NOT use the heating item while lid is installed. Always remove the lid while heating item is in use. Only use the regulator and hose assembly provided with this unit. Replacement parts must be supplied directly by Jay Trends. Inspect the burner before using this unit. If the burner shows any kind of damage, do not operate the appliance. For assistance with repair or replacement of the burner or any other parts, call Jay Trends at 1-877-387-3639.
- NOTE: You must follow all steps to properly assemble this heating item. Make sure the gas valve is turned "OFF" before assembling. Do NOT attempt to assemble without proper tools.



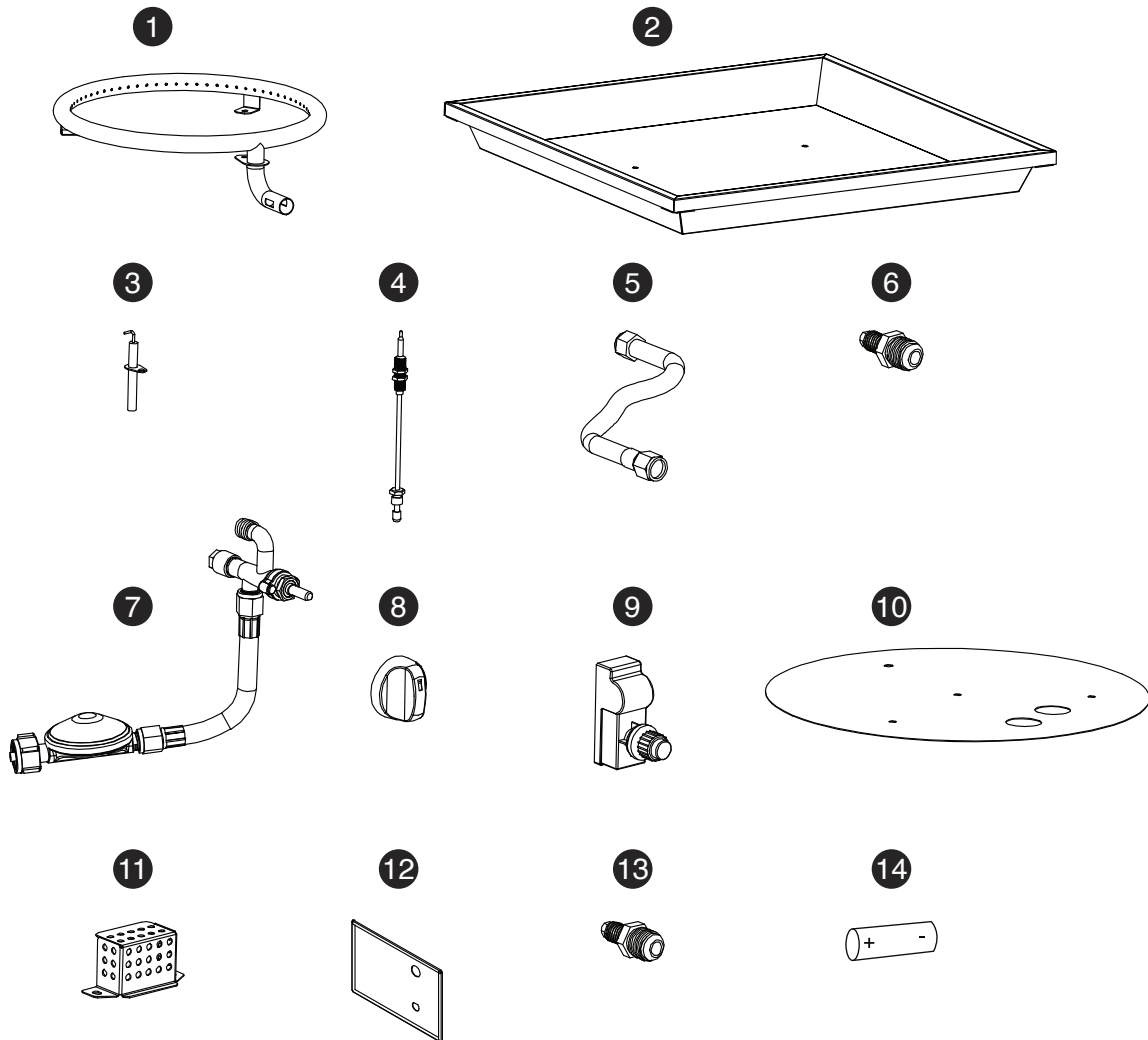
Combustible materials should not be within 96 in. of the top of the unit, or within 36 in. around the entire unit.

Package Contents



PART	DESCRIPTION	QUANTITY
A	Metal Lid	1
B	Fire Pit	1
C	Natural Stones (26.5 lbs.)	1 Box
D	Protective Cover	1
E	Pre-assembled Feet	4

Hardware Contents



PART	DESCRIPTION	QUANTITY
1	Burner	1
2	Firebowl Pan	1
3	Ignition Pin	1
4	Thermocouple	1
5	Corrugated Pipe	1
6	LPG Reducer (2.12mm)	1
7	Valve with LPG Hose and Regulator	1
8	Control Knob	1
9	Pulse Ignition	1
10	Heat Resistant Panel	1
11	Ignition Screen	1
12	Control Panel	1
13	NG Reducer (3.66mm)	1
14	AAA Batteries	1

Safety Information

SAFETY INFORMATION

Please read and understand this entire manual before attempting to assemble, operate or install this appliance. If you have any questions regarding the product, please call customer service 1-877-387-3639, 8 a.m. - 4 p.m., EST, Monday -Friday. This appliance has been tested to and complies with the ANSI Z21 .97-2017 /CSA2.41 -2017 Standard for Outdoor Decorative Gas Appliances. The installation must conform to local codes or in the absence of local codes, to the National Fuel Gas Code. ANSI Z223.1. This manual contains important information about the assembly, operation, and maintenance of this fire table. General safety information is presented in the first few pages and is also located throughout this manual. Keep this manual for future reference and to educate new users of this appliance. This manual should be read in conjunction with the labeling on the appliance. Safety precautions are essential when any mechanical or propane fueled equipment is involved. These precautions are necessary when using, storing, and servicing. Using this appliance with the respect and caution demanded will reduce the possibilities of personal injury or property damage. The following symbols shown below are used extensively throughout this manual. Always heed these precautions, as they are essential when using any mechanical or propane fueled equipment.



DANGER

DANGER indicates an imminently hazardous situation which, if not avoided, will result in death or serious injury.



DANGER:

Failure to comply with the precautions and instructions provided with this fire pit table can result in death, serious bodily injury and property loss or damage from hazards of fire, explosion, burn asphyxiation, and/or carbon monoxide poisoning. Only people who can understand and follow the instructions should use or service this fire pit table.



DANGER: FOR YOUR SAFETY:

If you smell gas:

1. Shut off gas to the appliance.
2. Extinguish any open flame.
3. If the odor continues, keep away from the appliance and immediately call your gas supplier or fire department.



CAUTION

Do not operate this fire table if Firebowl Pan and Natural Stones are wet!



Solid fuels shall not be burned with this appliance.

Natural Gas Conversion

Natural gas conversion must be performed exclusively by a natural gas provider or certified service professional. Failure to follow these instructions or provide proof of conversion by a qualified or certified professional will void and nullify any warranty for this product and replacement parts.

Refer to pages 11 - 13 for more information.



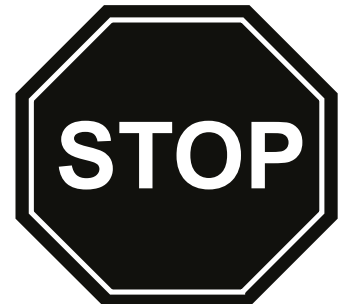
High Altitude Conversion

For installations above 2,000 feet, contact your local dealer or gas supplier before installing as input ratings will be reduced approximately 4% for each 1,000 feet above sea level. Refer to the National Fuel Gas Code.

*High Altitude Conversion Kit

Contact your distributor to obtain a High Altitude Conversion Kit. Conversion kit includes the proper orifice, conversion diagram and conversion label.

Refer to pages 11 - 13 for more information.



To continue assembly refer to page 7.

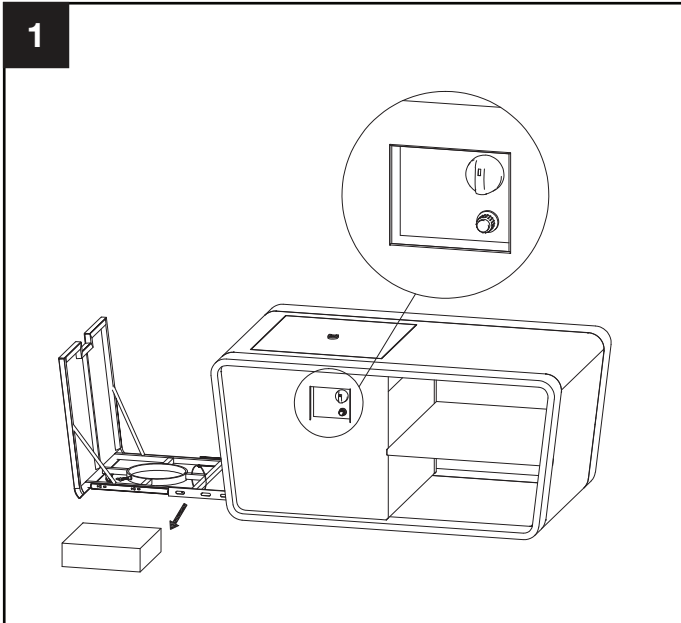
Natural Gas Conversion

STOP

Natural gas conversion must be performed exclusively by a natural gas provider or certified service professional. Failure to follow these instructions or provide proof of conversion by a qualified or certified professional will void and nullify any warranty for this product and replacement parts.

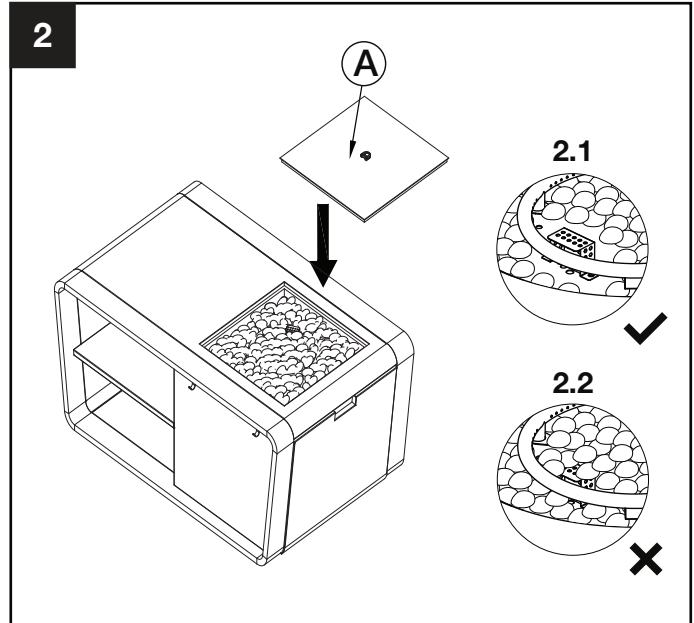
STOP

Refer to pages 11 - 13 for more information.



1.1. Set Up

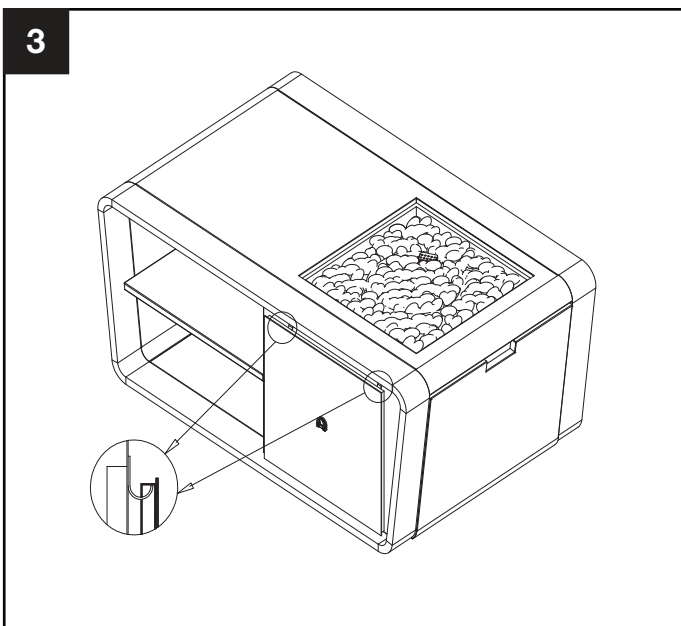
- 1.1. Check unit before using the product. Make sure the gas supply system is turned "OFF" before assembling.
- 1.2. Open the propane drawer, take away boxes containing the Owner's Manual and all accessories.



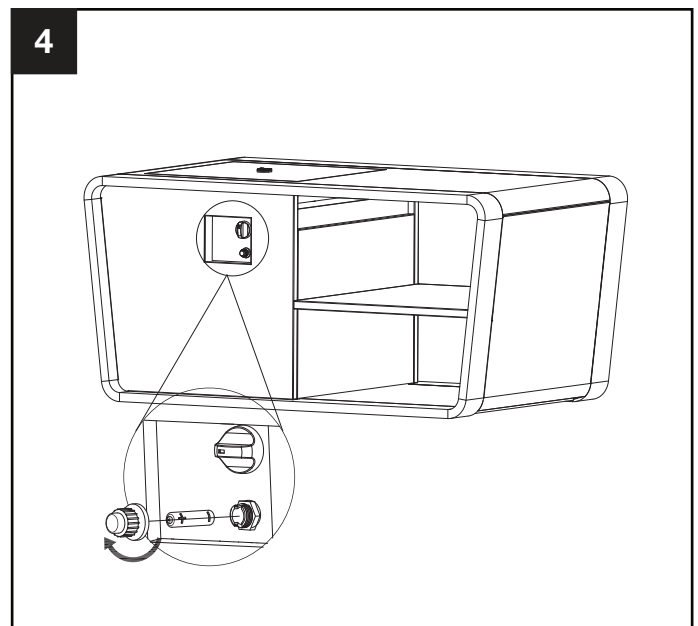
2. Pour Natural Stones (C) around burner and put lid (A) in place.

2.1. & 2.2. DO NO COVER THE IGNITION SCREEN when placing the Natural Stones into the fire bowl. Leave adequate space around the Ignition Screen for ventilation.

Exceeding the certified amount of Natural Stones included with your unit may cause the flame to blow back underneath where the propane tank is located.



3. Lid (A) can be stored on hooks as indicated when fire table is in use.



4. Install Battery to Igniter (9). Remove the rubber cap on the electronic igniter (A) by unscrewing and slide battery (B) into the battery slot. Make sure the positive side of the battery faces outwards. Screw the electronic igniter cap (A) over the battery tightly.

Assembly

The propane gas and cylinder are sold separately. Use a standard 20 lb. propane cylinder only. Use this fire pit only with a vapor withdrawal supply system. See Chapter 3 of the standard for storage and handling of liquefied petroleum gas, ANSA/NFPA 58. Your local library or fire department should have this book.

Storage of an appliance indoors is permissible only if the cylinder is disconnected and removed from the appliance. A cylinder must be stored outdoors in a well-ventilated area out of reach of children. A disconnected cylinder must have all dust caps tightly installed and must not be stored in a building, garage or any other enclosed area. The maximum inlet gas supply pressure: 250 psi. The minimum inlet gas supply pressure: 5 psi.

The minimum hourly rate of 10,000 BTUs requires an input rating for a fire pit for automatic operation at rating less than full input rating.

The pressure regulator and hose supplied with the appliance must be used. The installation must conform with local codes or in the absence of local codes, with national fuel gas code, ANSI Z21.97-2017/CSA2.41-2017, natural gas and propane Installation Code, CSA B1491.1, or propane storage and handling code, B149.2.

A dented, rusted, or damaged propane cylinder may be hazardous and should be checked by your cylinder supplier. Never use a propane cylinder with a damaged valve connection.

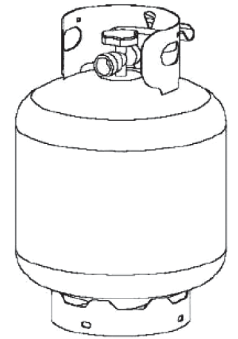
The propane cylinder must be constructed and marked in accordance with the specifications for propane gas cylinders of the U.S. Department of Transportation (DOT) or the standard for cylinders, spheres, and tubes for transportation of dangerous goods and commission, CAN/CSA-B339.

The cylinder must have a listed overfilling prevention device.

The cylinder must have a connection device compatible with the connection for the appliance.

The cylinder used must include a collar to protect the cylinder valve.

Never connect an unregulated propane cylinder to the appliance.

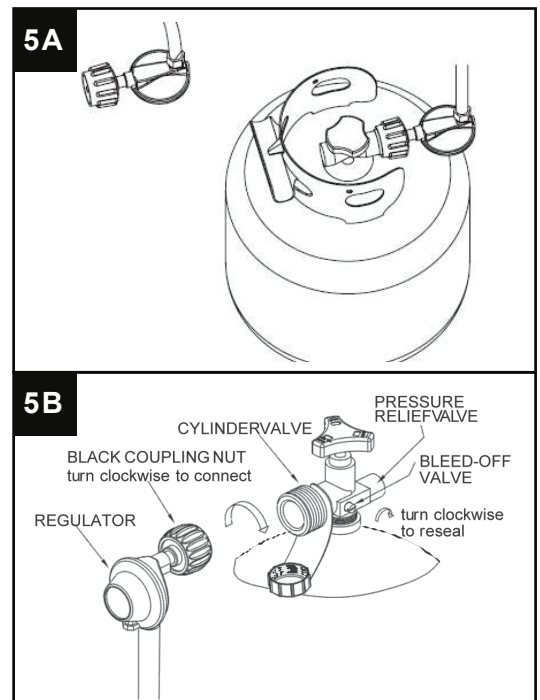


Standard 20 lb. tank

5. Connect Gas Tank

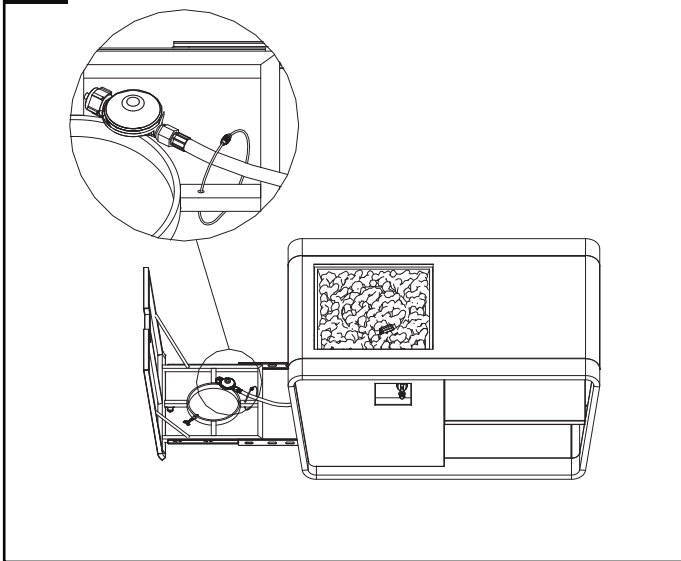
(I) Connect hose and regulator to cylinder. See Figure 5A.

(II) Turn the cylinder valve clockwise to close the gas supply on the gas cylinder. Screw the regulator coupling clockwise by hand only. Make sure it is fastened. See Figure 5B.



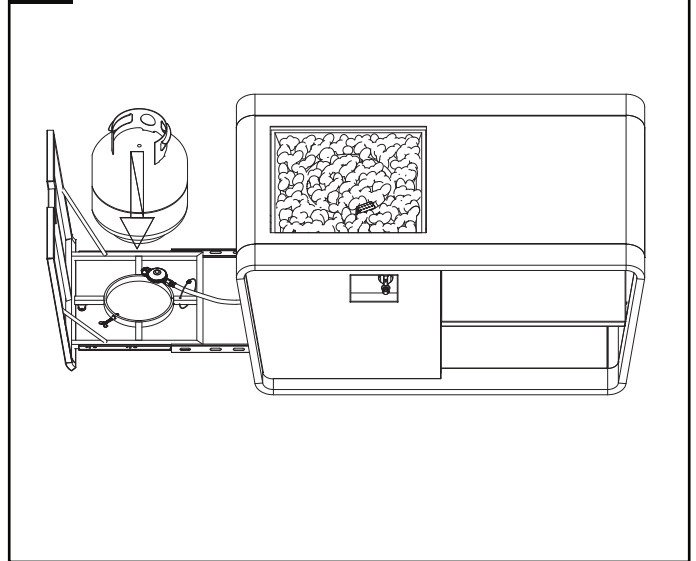
Assembly

6A



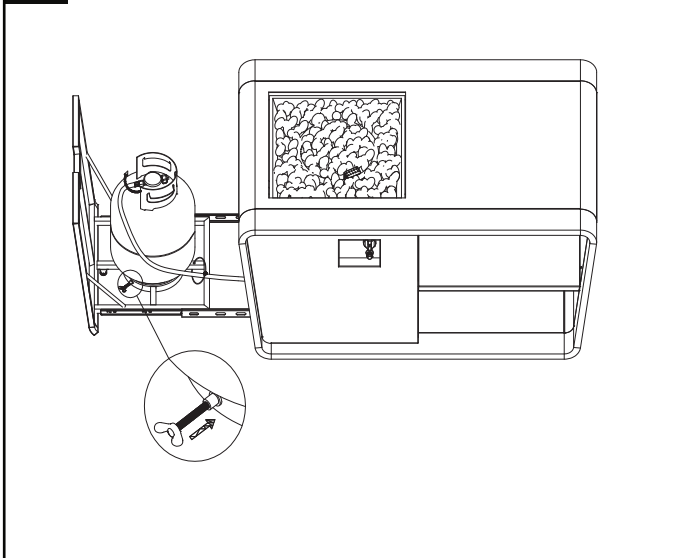
6A. When you attach the regulator to the propane tank, please ensure the hose with regulator is inserted through the stainless steel coil.

6B



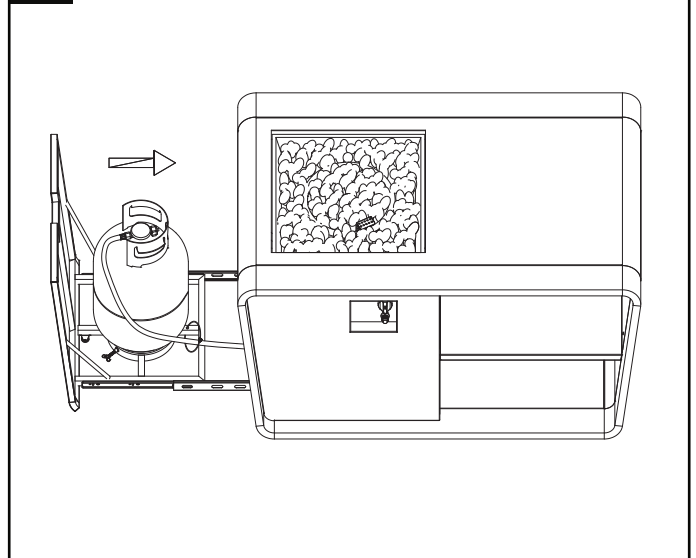
6B. Install Cylinder. Put the cylinder into bottom Plate.

6C



6C. Secure the cylinder by tightening the screw in the bottom plate.

6D



6D. Close the drawer. Fire table assembly is now complete.

Assembly

7. Perform Leak Test

WARNING

- Perform all tests outdoors.
- Extinguish all open flames.
- NEVER perform a leak test when smoking.
- Do not use the fire table until all connections have been leak-tested and do not leak.

(I) Make 2-3 oz. of leak test solution (one part liquid dishwashing detergent and three parts water).

(II) Make sure all fire tables and light valves are OFF.

(III) Apply several drops of solution where hose attaches to regulator.

(IV) Apply several drops of solution where regulator connects to cylinder.

(V) Turn cylinder valve ON.

If bubbles appear at any connection, there is a leak.

(I) Turn cylinder valve OFF.

(II) If leak is at hose/regulator connection: tighten connection and perform another leak test. If bubbles continue appearing, the hose should be returned to the place of purchase or contact Customer Service at 1-877-387-3639 for immediate assistance.

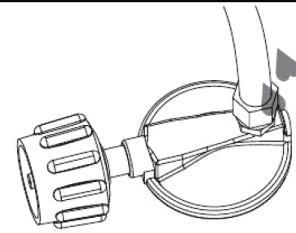
(III) If leak is at regulator/cylinder valve connection: disconnect, reconnect, and perform another leak test. If you continue to see bubbles after several attempts, the cylinder valve is defective and should be returned to cylinder place of purchase.

If NO bubbles appear at any connection, the connections are secure.

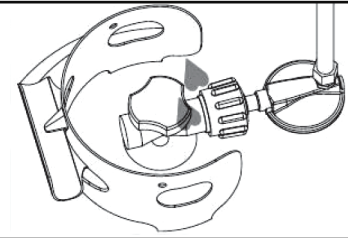
NOTE: Whenever gas connections are loosened or removed, you must perform a complete leak test.

- Do not store a spare LP-gas cylinder under or near this appliance.
- Never fill the cylinder beyond 80 percent full.
- Place the dust cap on the cylinder valve outlet whenever the cylinder is not in use. Only install the type of dust cap on the cylinder valve that is provided with the cylinder valve. Other types of caps or plugs may result in leakage of propane.

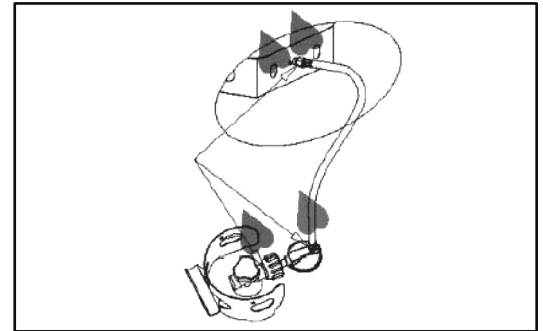
7



Hose/Regulator Connection



Regulator/Cylinder Connection



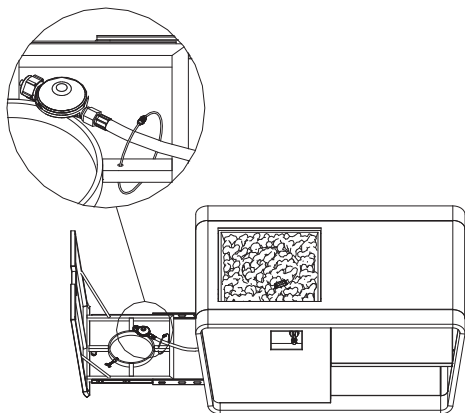
CAUTION

Do not operate this fire table if the Fire bowl Pan and Natural Stones are wet!



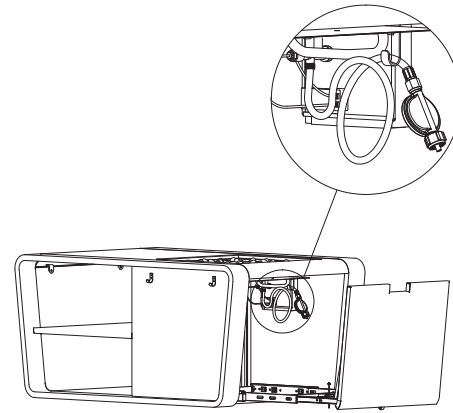
8. Propane Tank Regulator Hose Care

8A



8A. Remove regulator hose from the metal coil.

8B



8B. Place the Regulator Hose on the Provided Hook

- After disconnecting the hose from the propane tank, we recommend placing the regulator hose on the provided hook when not in use.
- This helps prevent any accidental damage to the hose and ensures it remains in good condition.

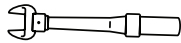
Natural Gas Conversion

CAUTION

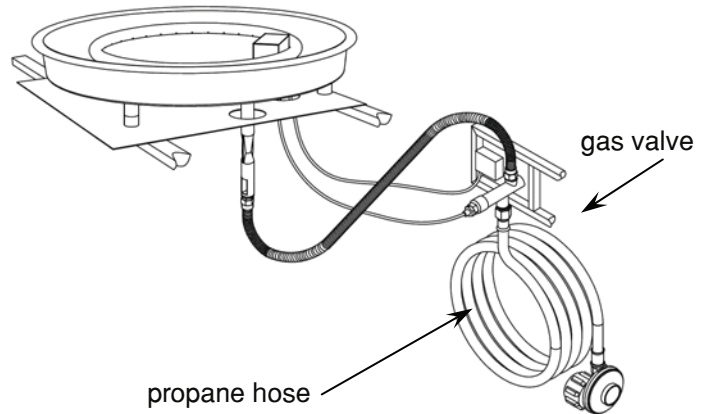
Natural gas conversion must be performed exclusively by a natural gas provider or certified service professional. Failure to follow these instructions or provide proof of conversion by a qualified or certified professional will void and nullify any warranty for this product and replacement parts.

1. Unscrew and disconnect propane regulator from gas valve counterclockwise using the torque wrench.

Hardware Used
Torque Wrench

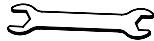


1

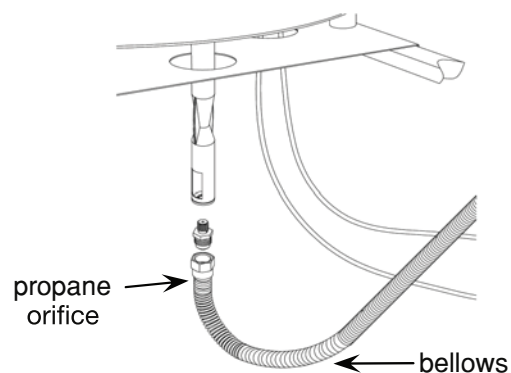
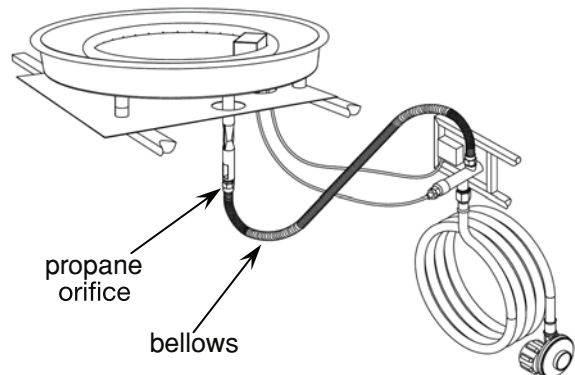


2. Unscrew and disconnect the bellows from propane orifice counterclockwise using the wrench, then disconnect the propane orifice from the inlet tube. Propane orifice is identified with a red mark.

Hardware Used
Wrench



2

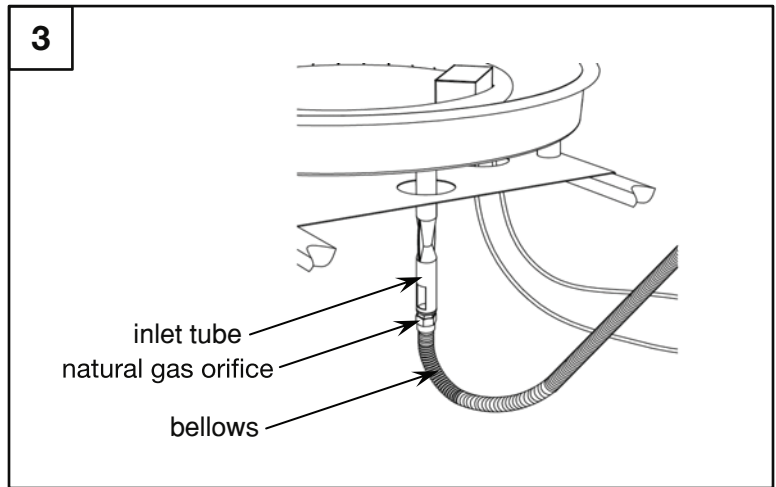
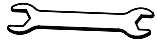


Natural Gas Conversion

3. Connect the bellows with natural gas orifice by screwing clockwise tightly using the wrench. Then connect and tighten the natural gas orifice with inlet tube using the wrench. Natural gas orifice is painted with a black mark.

Hardware Used

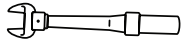
Wrench



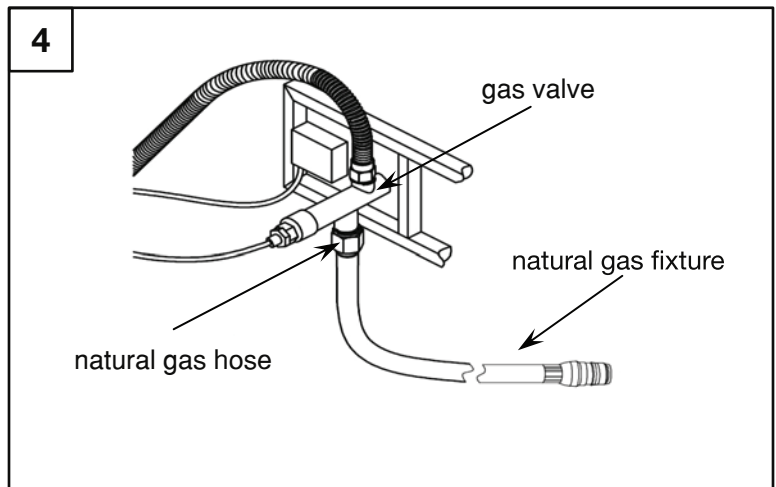
4. Connect the natural gas hose with gas valve by screwing clockwise tightly using the torque wrench.

Hardware Used

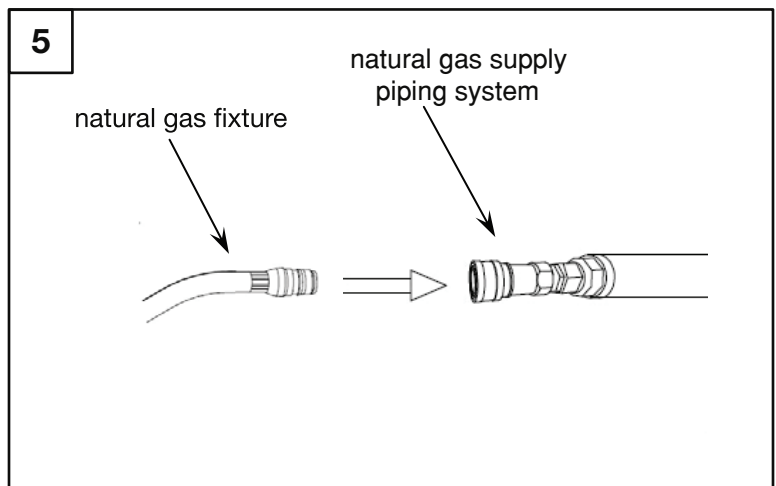
Torque Wrench



Requires a CSA Certified NG hose with a 3/8" opening and compatible to 50,000 BTU.



5. Plug the natural gas fixture into the natural gas supply piping system.



Natural Gas Conversion

6. Retain the rating label for your records.

For valid warranty, retain a picture of your serial number plate that is located on the door of the unit.

6

EN VERSION:

ANS 221.97-2017 / CSA 2.41-2017	Decorative Outdoor	
Outdoor Decorative Gas Appliances	Gas Firepit Table	
MFG Date:	Series No.:	Model:

Manufacturer: Foshan Genux Metal Products Co., Ltd
No. 1, Duye South Road, Duning Industrial District, Bijiao Community, Beijiao Town, Shunde District, Foshan City, Guangdong Province, China

Type of Gas: Natural Gas or Propane Gas

ORIFICE SIZE: NG=3.66mm, LPG=2.12 mm	LPG	NG
Manifold pressure for input Adj.	11.0in.w.c(2.74kpa)	7.0 in.w.c (1.74kpa)
BTU input	50,000 Btu(14.6Kw)/hr	50,000 Btu(14.6Kw)/hr
Max. Gas supply	6,900 in wc (1723.6kPa)	10.5 in wc (2.6kPa)

⚠ DANGER CARBON MONOXIDE HAZARD

This appliance can produce carbon monoxide which has no odor. Using it in an enclosed space can kill you. Never use this appliance in an enclosed space such as a camper, tent, car or home.

Contact: Jay Trends Sales
1901 Aut. Transcanadienne, Dorval, QC H9P 1J1, Canada
Tel: 1-877-387-3639

⚠ WARNING

1. Must not be used for cooking.
2. The current configuration of the appliance is for LP gas. If need to convert to NG use, please follow the conversion instruction in manual.
3. For outdoor use only. If stored indoors, detach and leave cylinder outdoors.
4. An LP-cylinder not connected for use shall not be stored in the vicinity of this or any other appliance.
5. If do not keep a safe distance, it will raise up the temperature of cylinder and cause explosion.
6. Do not connect to a remote gas supply.
7. The gas supply must be turned off at the Propane supply cylinder when this appliance is not in use.

- The instruction manual contains important information necessary for the proper assembly and safe use of the appliance.
- Read and follow all warnings and instructions before assembling and using the appliance.
- Follow all warnings and instruction when using the appliance.
- If instructions or parts are missing, contact 1-877-387-3639.

Minimum clearance from sides and back of unit to adjacent combustible construction: From top: 6ft. (72"). From sides: 3ft. (36").

⚠ WARNING: Improper installation, adjustment, alteration service or maintenance can cause injury or property damaged.

Refer to the owners information manual provided with this appliance. For assistance or additional information consult a qualified installer, service agency or the gas supplier.

⚠ WARNING: Do not store or use gasoline or other flammable vapors and liquids in the vicinity of this or any other appliance. An LP-cylinder not connected for use shall not be stored in the vicinity of this or any other appliance.

⚠ CAUTION: The gas pressure regulator provided with this appliance must be used. This regulator is set for an outlet pressure of 11 inches water column.

WARNING

This conversion kit shall be installed by a qualified service agency in accordance with the manufacturer's instructions and all applicable codes and requirements of the Authority Having Jurisdiction. If the information in these instructions is not followed exactly, a fire, explosion or production of carbon monoxide may result causing property damage, personal injury or loss of life. The qualified service agency is responsible for the proper installation of this kit. The installation is not proper and complete until the operation of the converted appliance is checked as specified in the manufacturer's instructions supplier with the kit.

7. Perform Natural Gas Leak Test

(I) Make 2-3 oz. of leak test solution (one part liquid dishwashing detergent and three parts water).

(II) Apply several drops of solution where natural gas fixture attaches to natural gas supply piping system. If NO bubbles appear, the connections are secure. If bubbles appear, the connection has a leak, disconnect, reconnect, perform another leak test. If you continue to see bubbles after several attempts, the part is defective and should be replaced.

7

natural gas fixture

natural gas supply piping system

1-877-387-3639 | Page 13

Operation

- Do not sit or stand on this fire pit table.
- Keep children away during assembly, as this item contains small parts which can be swallowed by children.
- Do not use indoors or inside any enclosure.
- Retain the assembly instructions for future reference.
- Installer - Please leave these instructions with the owner.

For a safe heating experience, perform these checks before each use.

Before Operating:

1. Familiarize yourself with the owner's manual to understand all precautions.
2. All components are properly assembled, intact and operable.
3. No alterations have been made.
4. All gas connections are secure and do not leak.
5. Do not operate if the wind is 10 mph or above.
6. Unit will operate at reduced efficiency below 40 F/4.44 C.
7. Fire table is outdoors (outside any enclosure).
8. There is adequate fresh air ventilation. Do not use this appliance if any part has been under water. Immediately call a qualified service technician to inspect the appliance and to replace any part of the control system and gas control which has been under water.
9. Fire table is away from gasoline or other flammable liquids or vapors.
10. Fire table is away from windows, air intake openings, sprinklers, and other water sources.
11. Fire table is at least 36 in. on rear and sides from combustible materials and 96 in. from ceiling.
12. Fire table is on a hard and level surface.
13. There are no signs of spiders or insects.
14. All burner passages are clear.
15. All air circulation passages are clear.
16. Children and adults should be alerted to the hazards of high surface temperature and should stay away to avoid burns or clothing ignition.
17. Young children should be carefully supervised when they are around the fire table.
18. Clothing or other protective material should not be hung from the fire table or placed on or near the fire table.
19. Any guard or other protective device removed for servicing the fire table must be replaced prior to operating the fire table.
20. Installation and repair should be done by a qualified service person. The fire table should be inspected before use and at least annually by a qualified service person.
21. More frequent cleaning may be required as necessary. It is imperative that the control compartment, burner and circulating air passageways of the fire table be kept clean.

After Operation:

1. Gas control is in OFF position.
2. Gas tank valve is OFF.
3. Gas line has been disconnected.
4. After each use, replace the cap on the gas tank.



CAUTION:

Do not operate this fire table if
Firebowl Pan and Natural Stones are wet!



DANGER :

CARBON MONOXIDE HAZARD

For outdoor use only. Never use inside the house, or other unventilated or enclosed areas. This fire table consumes air (oxygen). Do not use it in unventilated or enclosed areas to avoid endangering your life.



WARNING:

VERY HOT WHILE IN OPERATION

Never lean over the fire table while in use. Do not touch surfaces while the fire table is in operation. Wait until the fire table has completely cooled down after use. Failure to comply with these instructions may result in serious bodily injury.

Operation

Caution: Do not attempt to operate until you have read and understand all Safety Information in this manual and all assembly is complete and leak checks have been performed.

Before Turning Gas Supply On:

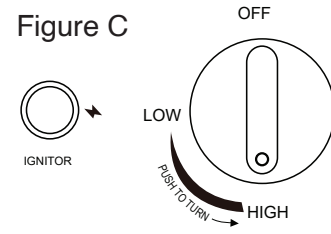
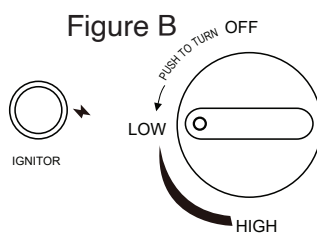
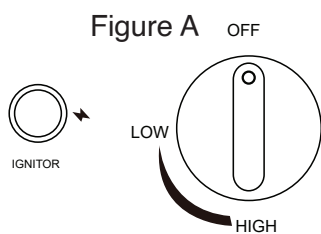
1. Your fire table was designed and approved for outdoor use only. Do NOT use it inside a building, garage, or any other enclosed area.
2. Make sure surrounding areas are free of combustible materials, gasoline, and other flammable vapors or liquids.
3. Ensure that there is no obstruction to air ventilation. Be sure all gas connections are tight and there are no leaks.
4. Be sure the cylinder cover is clear of debris. Be sure any component removed during assembly or servicing is replaced and fastened prior to starting.

Before Lighting:

1. The fire table should be thoroughly inspected before each use, and by a qualified service person at least annually. When re-lighting a hot fire table, always wait at least 5 minutes.
2. Inspect the hose assembly for evidence of excessive abrasion, cuts, or wear. Suspected areas should be leak tested. If the hose leaks, it must be replaced prior to operation. Only use the replacement hose assembly specified by manufacturer. The burner must be replaced prior to the appliance being put into operation if it is evident that the burner is damaged. The replacement burner should be specified by the manufacturer.

Lighting:

1. Make sure the control knob is in the “OFF” position (Figure A).
 2. Fully open LP cylinder valve.
 3. For an initial start or after any cylinder change, hold the Control Knob IN for 2 minutes to purge air from gas lines before proceeding.
 4. Start the unit by pushing in the gas control knob and turning the knob counterclockwise to “LOW” (Figure B). Keeping the control knob pushed in press the BLACK ignitor button to light the fire pit table without letting go of the control knob. Once the unit is lit, continue to hold, and push in the control knob for 2-3 minutes. This will heat the thermocouple and your unit will stay lit.
 5. After the fire table lights, release control knob. To increase the flame, turn the control knob counterclockwise to “HIGH” (Figure C). To decrease the flame, turn the control knob clockwise to “LOW”.
- If burner fails to remain lit, all valves should be closed and a waiting period of at least 5 minutes should pass before attempting to light.



! WARNING: FOR YOUR SAFETY

Be careful when attempting to manually ignite this fire table. Holding in the control knob for more than 10 seconds before igniting the gas will cause a ball of flame upon ignition.

! WARNING: FOR YOUR SAFETY

The fire table will be hot after use. Handle it with extreme care.

Re-lighting:

1. Turn control knob to “OFF”.
2. Repeat the “Lighting” steps on prior page.

Turn off:

1. To extinguish burner, depress control knob and continue to turn it clockwise to “OFF”.
2. Turn cylinder valve clockwise to “OFF” and disconnect regulator when fire table is not in use.

Care & Maintenance

To enjoy years of performance from your fire table, make sure you perform the following maintenance activities on a regular basis:

Keep exterior surfaces clean.

1. Use warm soapy water for cleaning. Never use flammable or corrosive cleaning agents.
 2. While cleaning your unit, be sure to always keep the area around the burner dry. Do not submerge the control valve assembly. If the gas control is submerged in water, do NOT use it. It must be replaced.
 - Keep the appliance area clear and free from combustible materials, gasoline and other flammable vapors and liquids.
 - Do not obstruct the flow of combustion and ventilation air.
 - Keep the ventilation opening of the cylinder enclosure free and clear from debris.
 3. Air flow must be unobstructed. Keep controls, burners, and circulating air passageways clean. Signs of possible blockage include:
 - Gas odor with extreme yellow tipping of flame.
 - Fire table does NOT reach the desired temperature.
 - Fire table glow is excessively uneven.
 - Fire table makes popping noises.
 - Spiders and insects can nest in burners or orifices. This dangerous condition can damage fire table and render it unsafe for use. Clean burner holes by using a heavy-duty pipe cleaner. Compressed air may help clear away smaller particles.
 - Carbon deposits may create a fire hazard. Clean burner with warm soapy water if any carbon deposits develop.
- Note:** In a salt-air environment (such as near an ocean), corrosion occurs more quickly than normal. Frequently check for corroded areas and repair them promptly.



WARNING: FOR YOUR SAFETY

Do not touch or move fire table for at least 45 minutes after use. The fire table is hot to the touch. Allow the fire table to cool before touching.

Storage

Between uses:

- Turn Control Knob OFF
- Disconnect LP source.
- Store fire table in an area sheltered from direct contact with inclement weather (such as rain, sleet, hail, snow, dust, and debris).
- Cover fire table with lid and protective cover to prevent water from accumulating in the Fire bowl Pan and to protect exterior surfaces. To ensure your new unit withstands our North American winters, we strongly recommend the unit be stored in a dry area and not sit in a moist cover. Remove access water and snow to protect the unit over the winter.

Note: Wait until the fire table is cool before covering.

During periods of extended inactivity or when transporting:

- Turn Control Knob OFF.
- Disconnect LP source and move to a secure, well-ventilated location outdoors.
- Store fire table in an area sheltered from direct contact with inclement weather (such as rain, sleet, hail, snow, dust and debris).
- Cover fire table with lid and protective cover to prevent water from accumulating in the Fire bowl Pan and to protect exterior surfaces. To ensure your new unit withstands our North American winters, we strongly recommend the unit be stored in a dry area and not sit in a moist cover. Remove access water and snow to protect the unit over the winter.
- Never leave LP cylinder exposed to direct sunlight or excessive heat.

Note: Wait until the fire table is cool before covering.

Service

Only a qualified service person should repair gas passages and associated components.

Troubleshooting

PROBLEM	POSSIBLE CAUSE	CORRECTIVE ACTION
Burner won't light	Propane cylinder is empty	Replace propane cylinder
	Blockage in orifice	Clear blockage
	Control knob is not in ON position	Turn control knob to ON
Burner flame is low	Gas pressure is low	Turn cylinder valve OFF and re-fill the cylinder
	Outdoor temperature is less than 40 °F	Use a full cylinder
	Control knob is fully on	Check burner and orifices for blockage
Carbon build-up	Dirt or film on burner	Clean burner
Thick black smoke	Blockage in burner	Remove blockage and clean burner inside & outside

Storage



CAUTION:



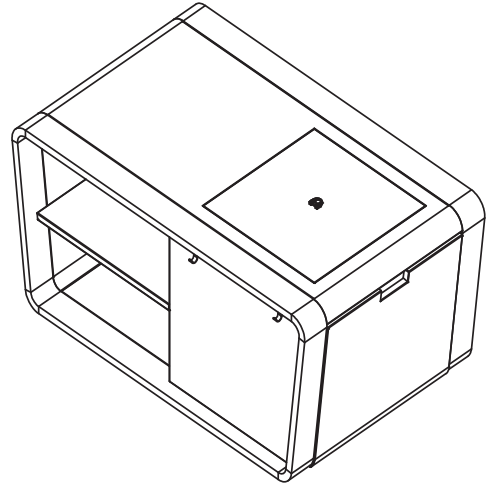
Do not operate this fire table if Firebowl Pan and Natural Stones are wet!

1. Cover fire table with lid (A) and protective cover (D) to prevent water from accumulating in the Firebowl Pan and to protect exterior surfaces.

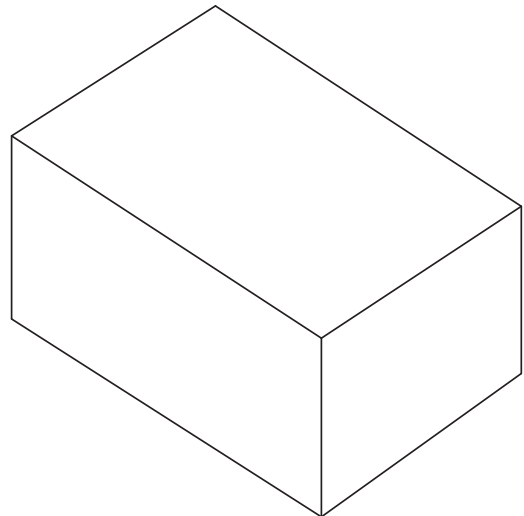
2. **For winter storage:** Remove the Natural Stones. Store the fire table in a sheltered area, protected from rain, sleet, hail, snow, dust, and debris.

To ensure your new unit withstands our North American winters, we strongly recommend the unit be stored in a dry area and not sit in a moist cover. Remove access water and snow to protect the unit over the winter.

1



2



Limited Warranty

JAY TRENDS SALES LIMITED TWO (2) YEARS WARRANTY

Jay Trends warrants your new outdoor fire table/ fire pit product will be free from defects in material and workmanship for two (2) years from the date of purchase.

Conditions and Limitations

Jay Trends warrants its products against manufacturing defects to the original purchaser only, and is subject to the following conditions and limitations:

This factory warranty is non-transferable and may not be extended what-so-ever by any of our representatives.

The product must be assembled, maintained, and operated in accordance with the printed instructions accompanying it.

This limited warranty does not cover damages caused by misuse, lack of maintenance, grease fires, hostile environments, accident, alterations, abuse or neglect and parts installed from other manufacturers will nullify this warranty. Discoloration to plastic parts from chemical cleaners or UV exposure is not covered by this warranty.

Any damages to the product due to weather damage, hail, rough handling, damaging chemicals or cleaners will not be the responsibility of Jay Trends.

This limited warranty does not cover any scratches, dents, painted finishes, corrosion or discoloring by heat, abrasive and chemical cleaners, nor chipping on porcelain enamel parts, nor any components used in the installation of the product.

Should deterioration of parts occur to the degree of non-performance (rusted through or burnt through) within the duration of the warranted coverage, a replacement part will be provided.

The bill of sale or copy will be required when making any warranty claims from Jay Trends.

All parts replaced under the Limited Two (2) Years Warranty Policy are subject to a single claim.

Jay Trends will not be responsible for the installation, labor, or any other costs related to the re-installation of a warranted part, and such expenses are not covered by this warranty.

Jay Trends reserves the right to have its representative inspect any product or part prior to honoring any warranty claim.

Jay Trends shall not be liable for any transportation charges, labor costs, or export duties.

Replacement Parts

In the event that an item has been lost or damaged either by the manufacturer or in shipping you may request a replacement. Replacement parts are not available for all units and only given at Jay Trends' discretion. We will assess any damage and find a solution, which could include ordering and shipping a replacement to you. No replacements are available for discontinued items or repackaged (open box) products. Please call Jay Trends Customer Service at 1-877-387-3639 for replacement parts before returning the damaged item. Please have the following information, which can be found in your instruction manual, ready before you call Customer Service.

1. Model Number of Item # _____
2. Serial # _____ & MFG Date: _____
3. Shipping Address _____.
4. A picture of the damaged part is required.
5. Pictures should be sent to custserv@jaytrends.com.
6. Proof of purchase with date _____
7. All claims must be received within 30 days of receipt of order.

Jay Trends Sales
1901 Aut. Transcanadienne
Dorval, QC H9P 1J1, Canada
www.jaytrends.com
Customer Service: 1-877-387-3639 in USA & Canada
custserv@jaytrends.com